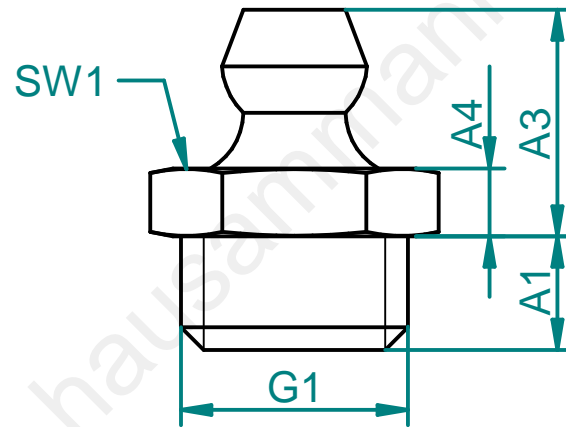


| General tolerances ISO 2768-m |      |              |                |                |                  | Index | Date | Visum | Modification | Index | Date | Visum | Modification |
|-------------------------------|------|--------------|----------------|----------------|------------------|-------|------|-------|--------------|-------|------|-------|--------------|
| Basic-size                    | ...6 | > 6<br>...30 | > 30<br>...120 | >120<br>...400 | > 400<br>...1000 |       |      |       |              |       |      |       |              |
| medium                        | ±0.1 | ±0.2         | ±0.3           | ±0.5           | ±0.8             |       |      |       |              |       |      |       |              |



| Specifications points D,K,H |  |
|-----------------------------|--|
| D= doc.points               |  |
| K= critical                 |  |
| H= main                     |  |

|                  |  |   |  |  |  |
|------------------|--|---|--|--|--|
|                  |  | Material:   |  |  |  |
|                  |  | Edelstahl Rostfrei  |  |  |  |
|                  |  | Scale   |  |  |  |
|                  |  | 3:1   |  |  |  |
|                  |  | Date  |  | Date   |  |
|                  |  | 24.06.11  |  | E.Z  |  |
|                  |  | checked   |  |  |  |
|                  |  | 05.019  |  | Format   |  |
|                  |  | Solid Edge  |  | Index  |  |
|                  |  | A4  |  | 00   |  |
| Accord-draw.no.: |  | Origin-draw.no.:  |  | Replacement for:   |  |
|                  |  |   |  |  |  |
|                  |  | HAUSAMMANN<br>KOMPONENTEN<br>PRODUKTION<br>SYSTEME              |  |  |  |
|                  |  | © 2010, Für dieses Dokument behalten wir uns alle Rechte vor.   |  | © 2 010, Nous nous reservons tous les droits sur ce document |  |
|                  |  | © 2 010, We reserve all rights in connection with this document |  |  |  |